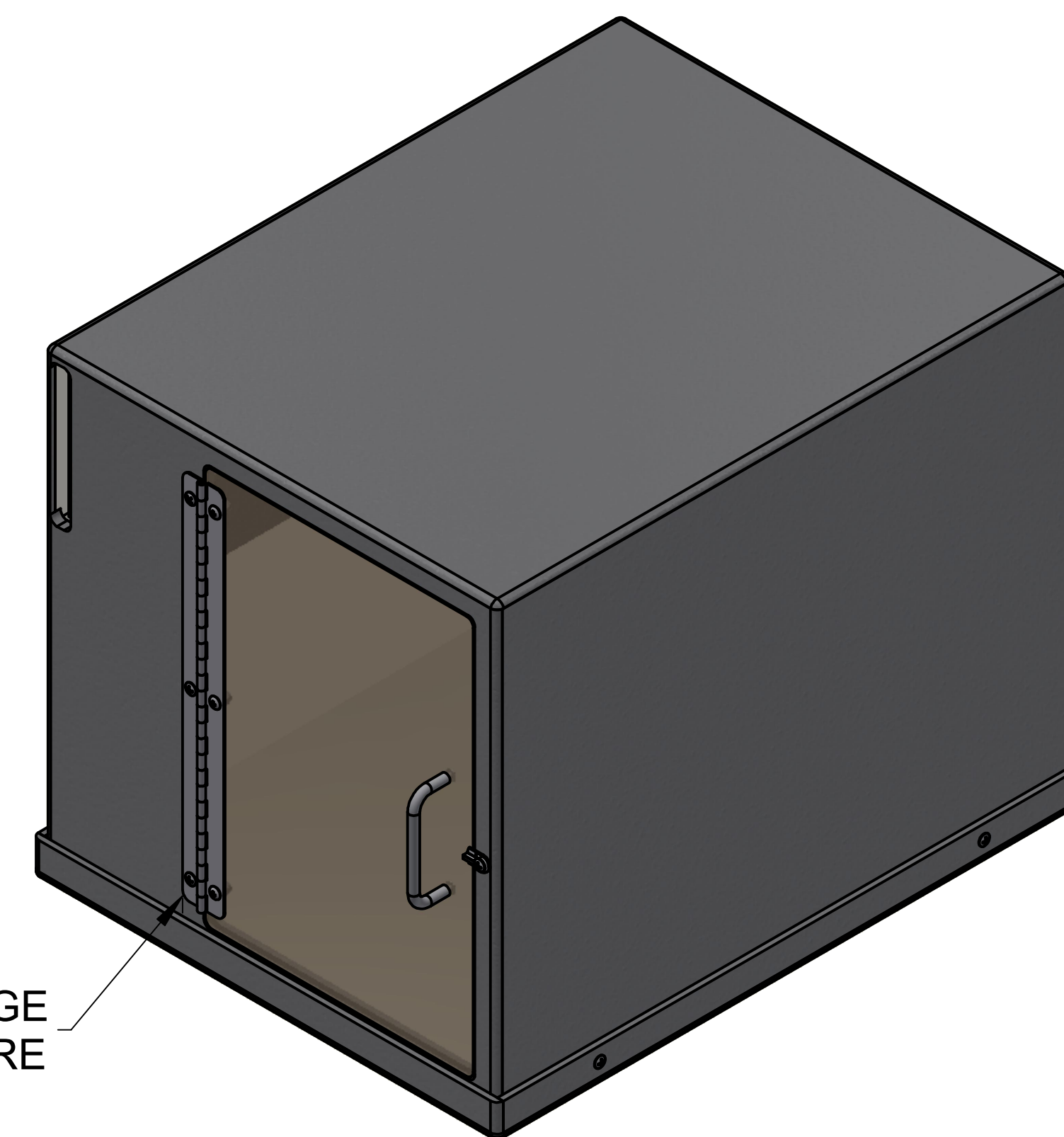
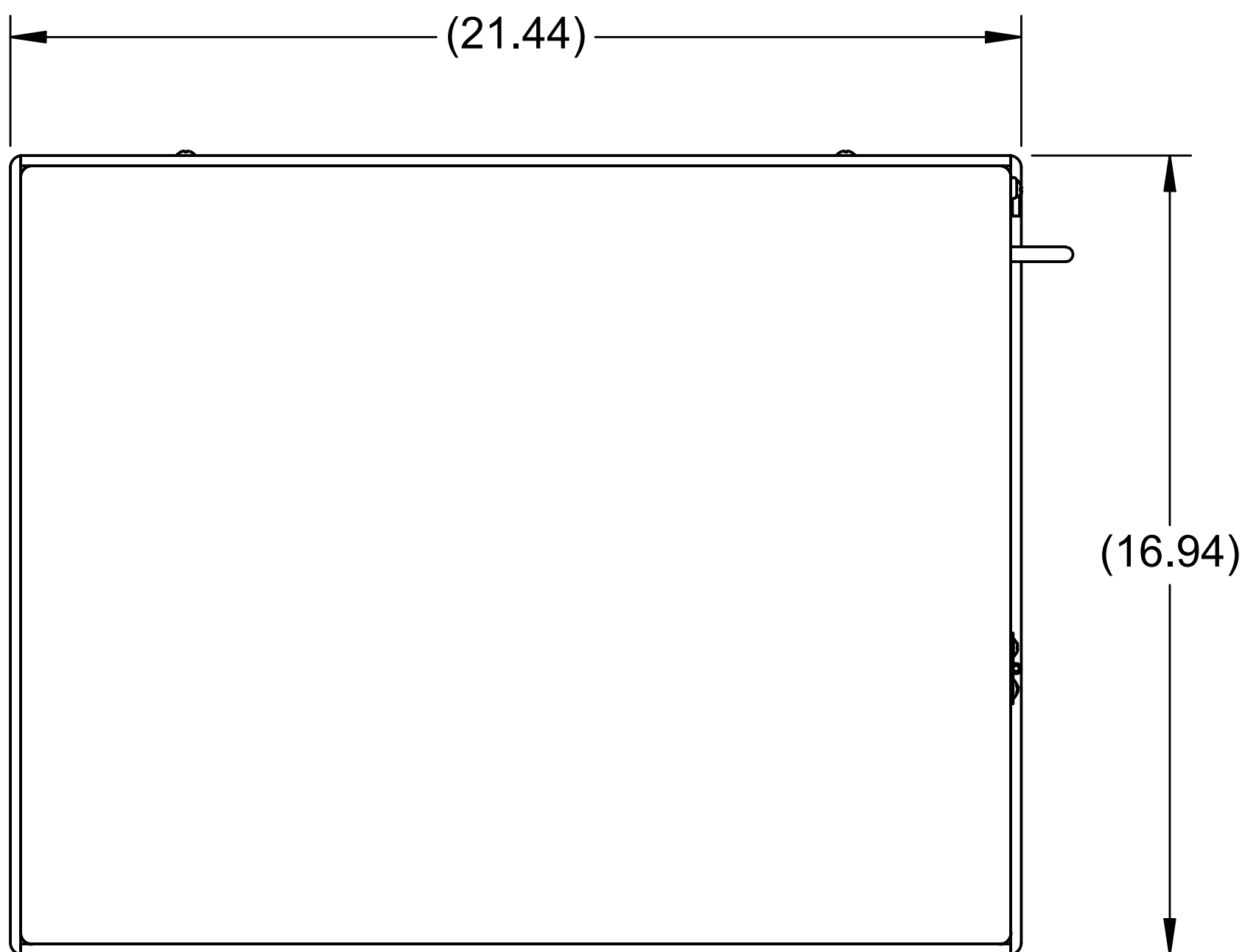


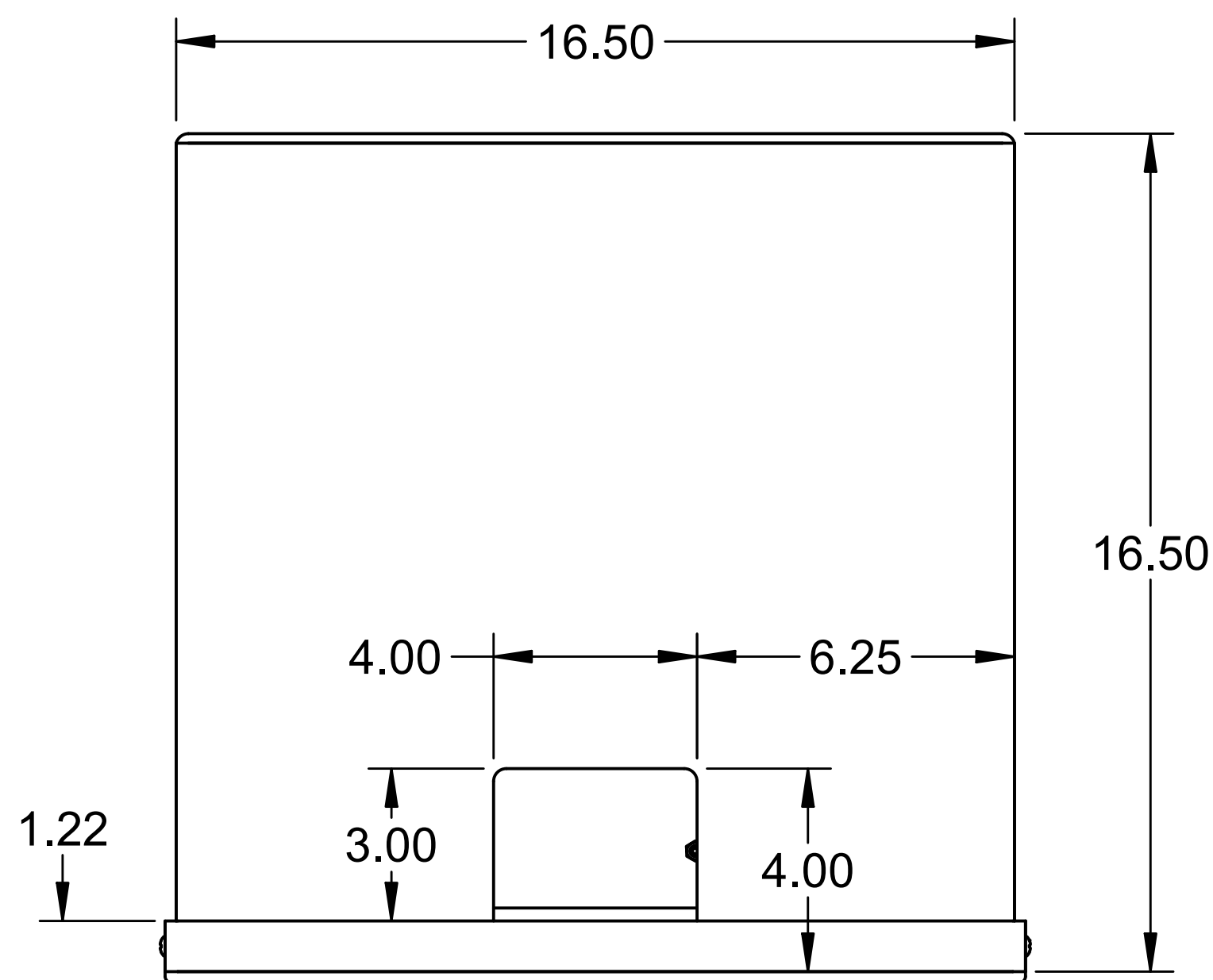
CLEAR ACRILIC FRONT DOOR FOR VISIBILITY

TOP

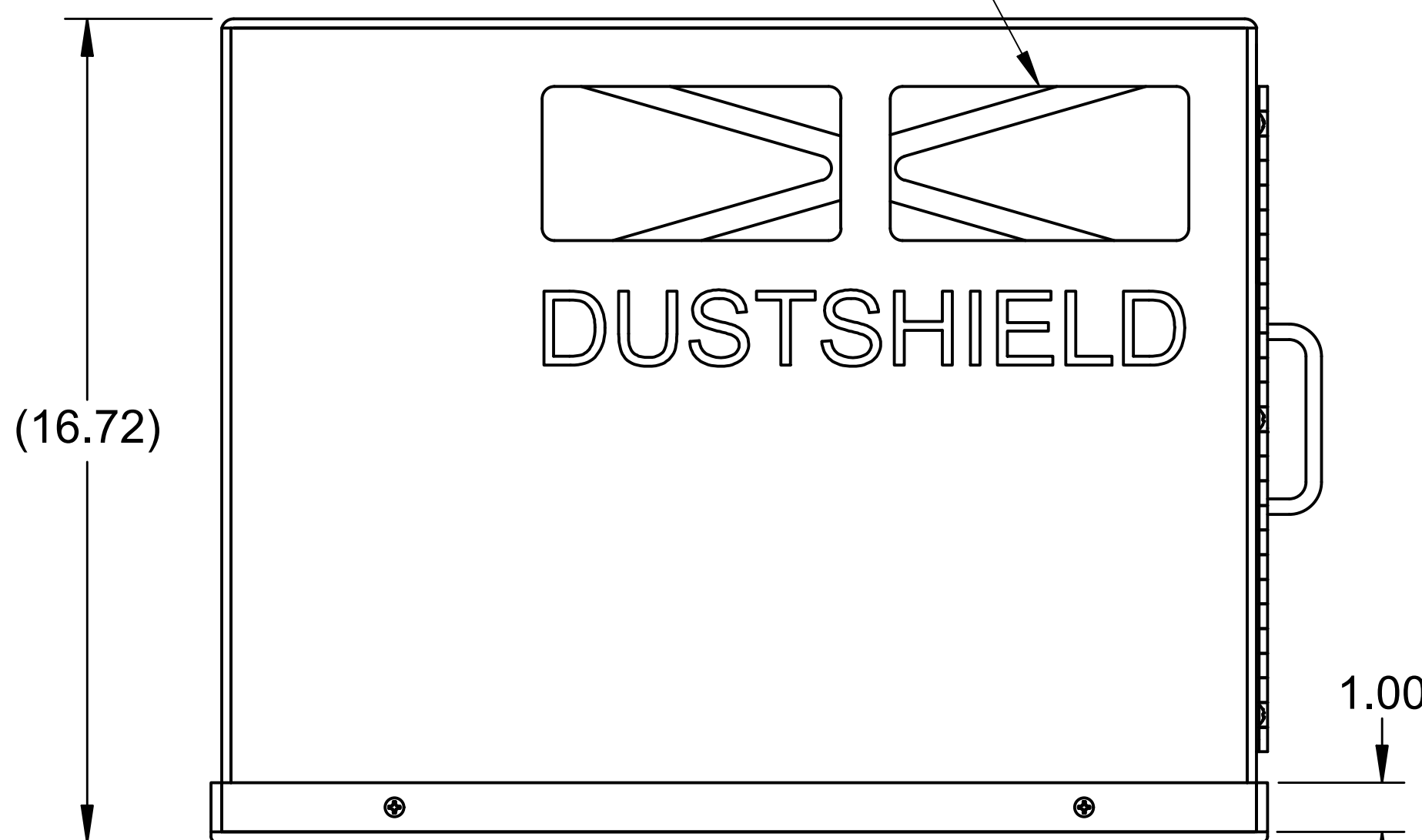


ALUMINUM HINGE W/SS HARDWARE

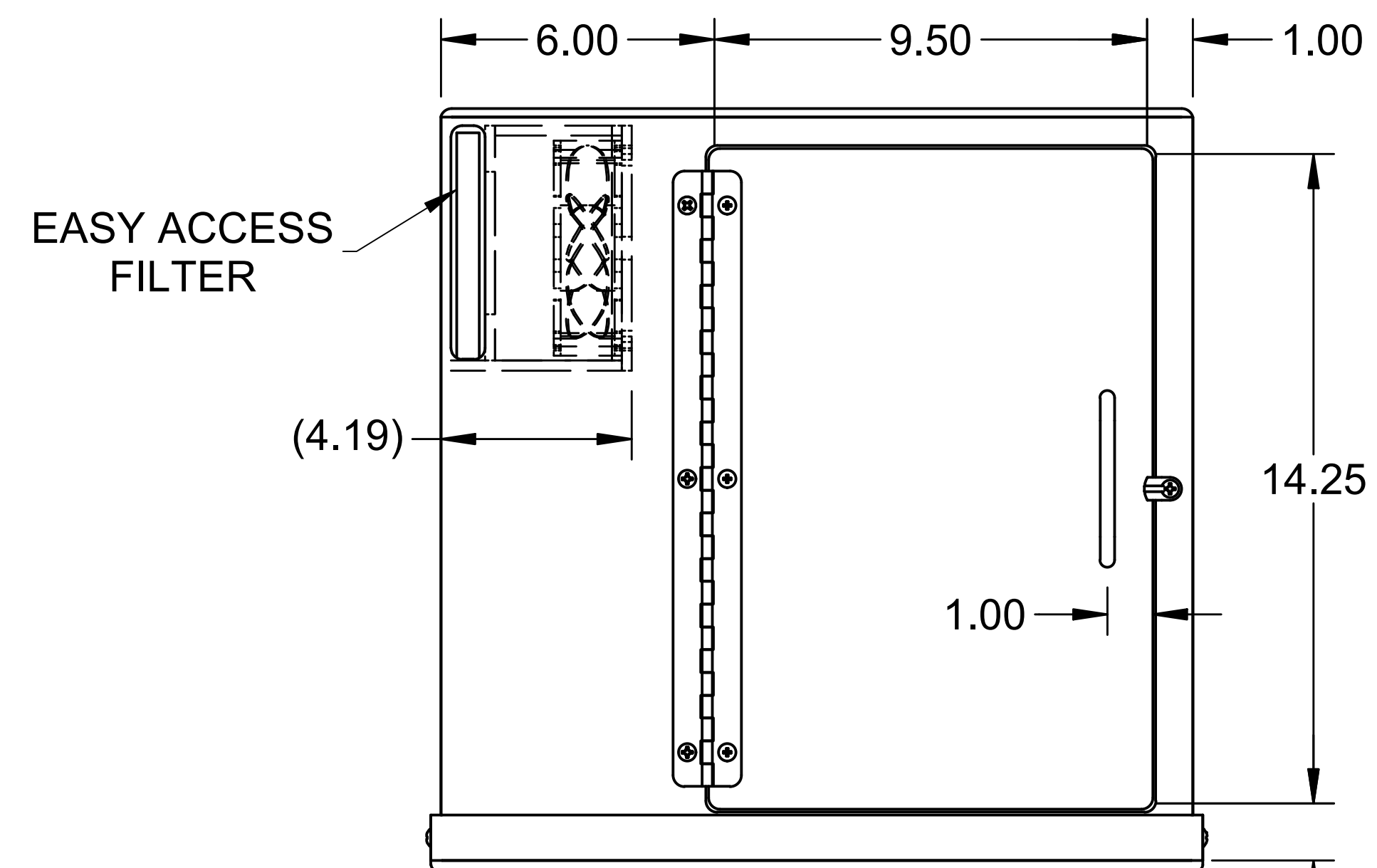
SINGLE FILTERED FAN UNIT 95CFM 120V W8' CORD & DS512 FILTER



REAR



LEFT



FRONT

DS 121:
MAX CPU SIZE IS
8 1/2"W x 15"H x 17"D


DESIGN APPROVAL

BY SIGNING THIS FORM, YOU ARE AUTHORIZING DUSTSHIELD TO PROCEED WITH MANUFACTURING IN ACCORDANCE WITH THE DIMENSIONAL DATA SHOWN

DATE: _____

SIGNATURE: _____

- NOTES:**
- ENCLOSURE IS CONSTRUCTED OF 3/8" & .22 TEXTURED ABS PLASTIC.
 - ENCLOSURE CAN BE REMOVED FROM BASE TO LIFT OFF WITHOUT DISCONNECTING PRINTER CABLES.

REVISION HISTORY				
DCN NO.	REV	DESCRIPTION	DATE	APPROVED
UNLESS OTHERWISE SPECIFIED, ALL DIMENSIONS ARE NOTED IN INCHES. TOLERANCES APPLY TO THE FINISHED PART.				
TOLERANCES		ANGLES	DWN BY: modriquez	
X = ± .13	HOLES ± .003"	± 1°	CHK BY: TD	
XXX = ± .06			APR BY: TD	
THESE DRAWINGS ARE THE EXCLUSIVE PROPERTY OF DUST-SHIELD			DATE: 6/12/2017	TITLE: DS 121 STANDARD
ISSUED IN STRICT CONFIDENCE AND SHALL NOT BE REPRODUCED, COPIED OR USED FOR ANY PURPOSE WHATSOEVER, WITHOUT PRIOR WRITTEN PERMISSION			SCALE: 1 SHEET	DRAWING NUMBER: DS-8006-00
				REV: IR