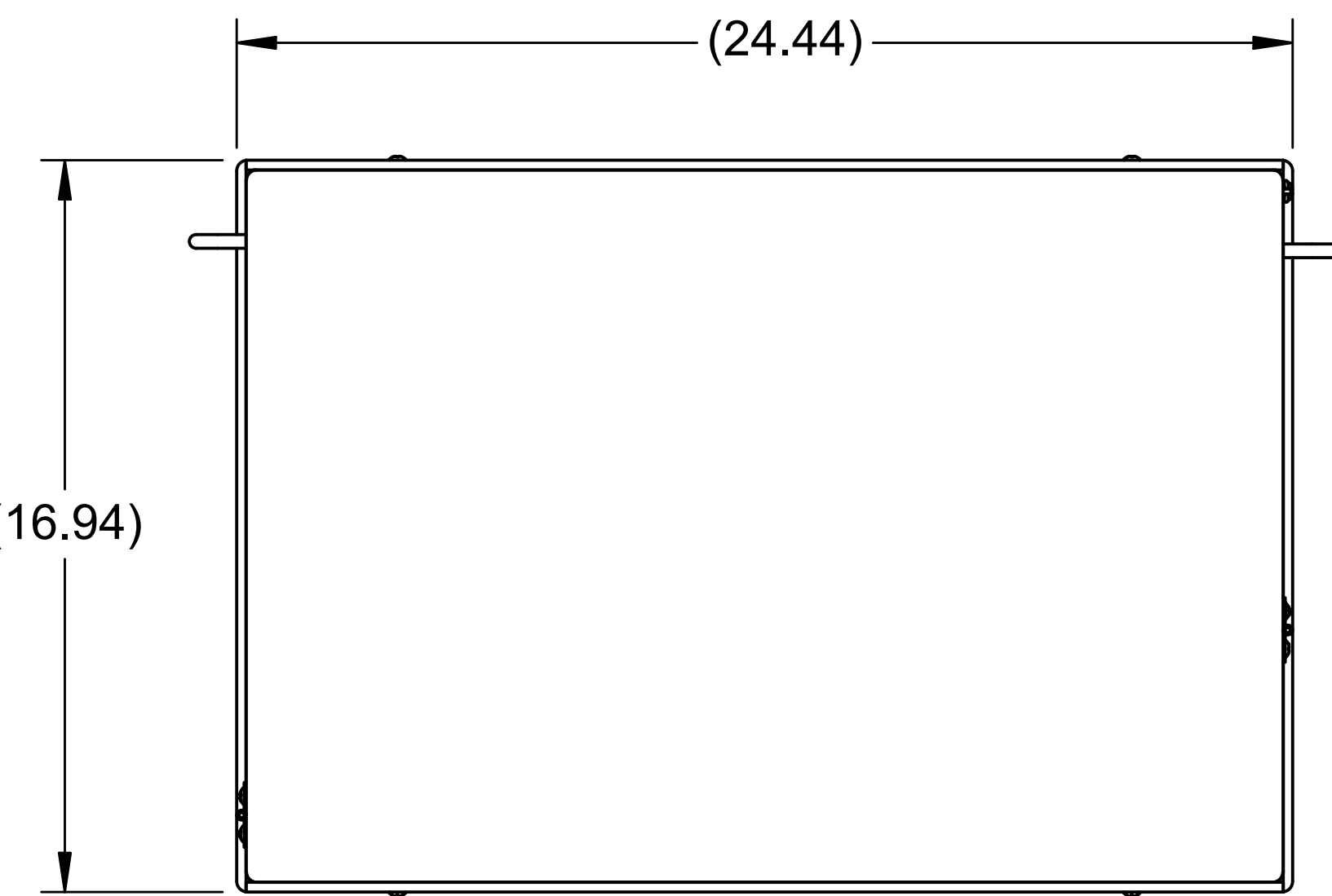
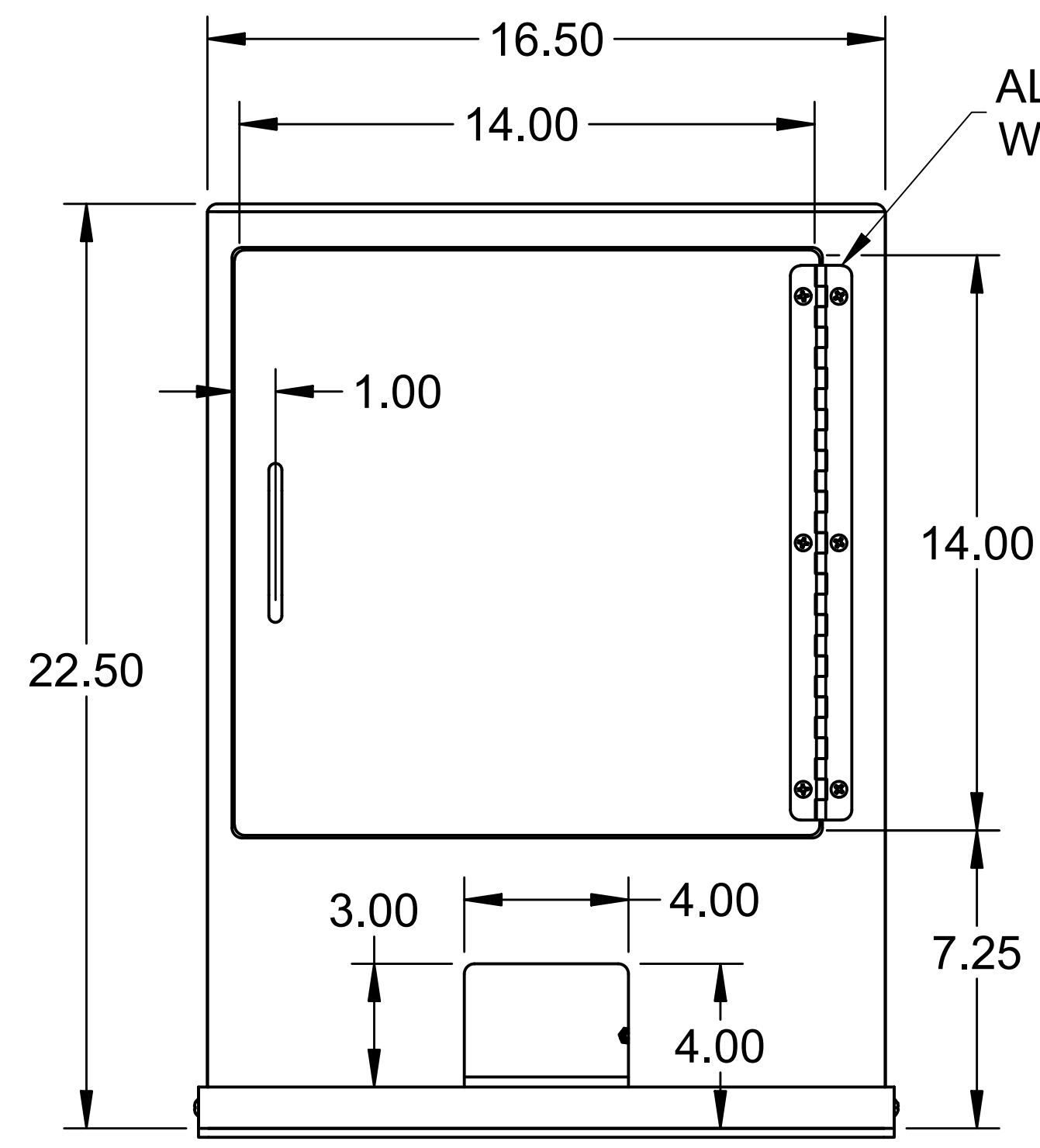
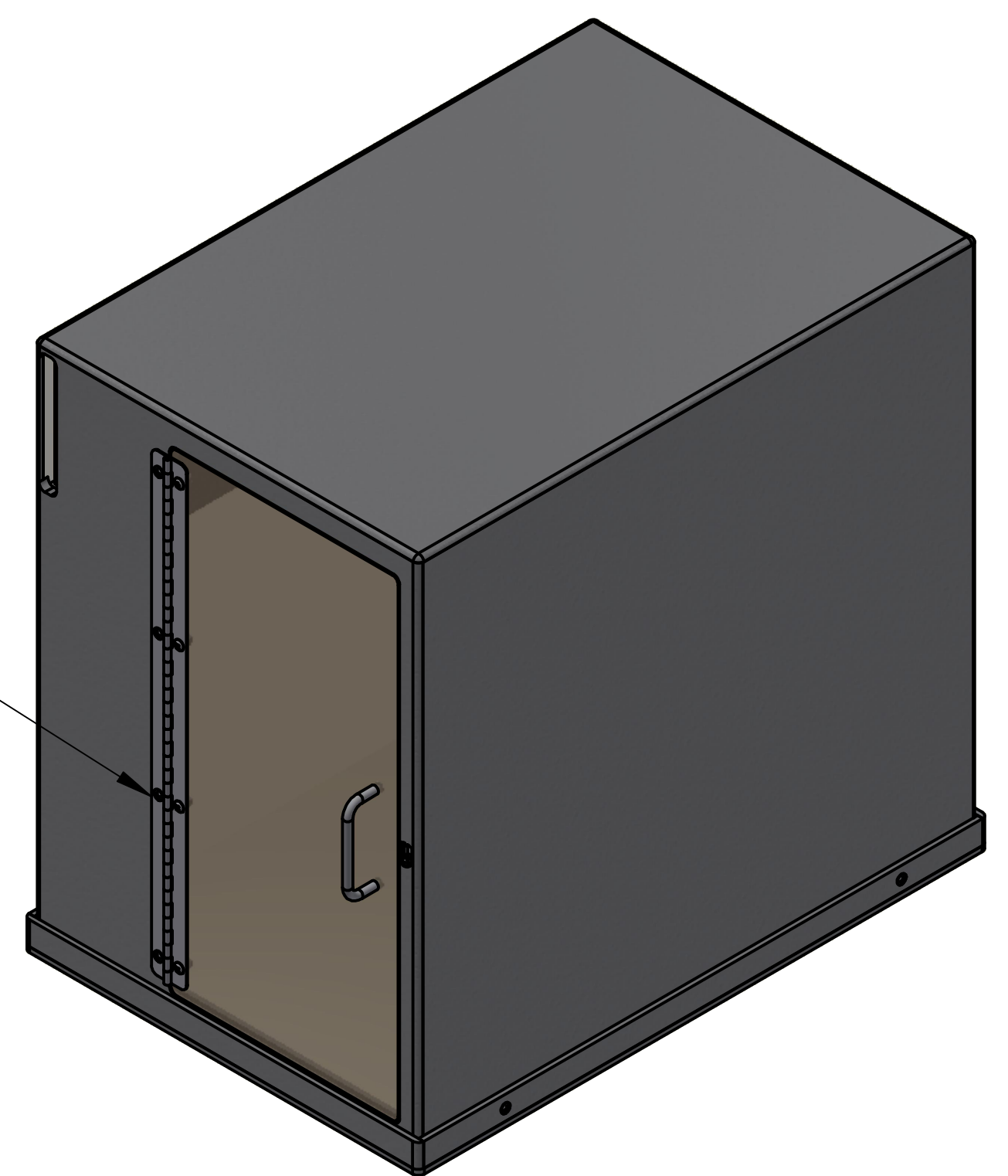


CLEAR ACRLIC FRONT DOOR FOR VISIBILITY



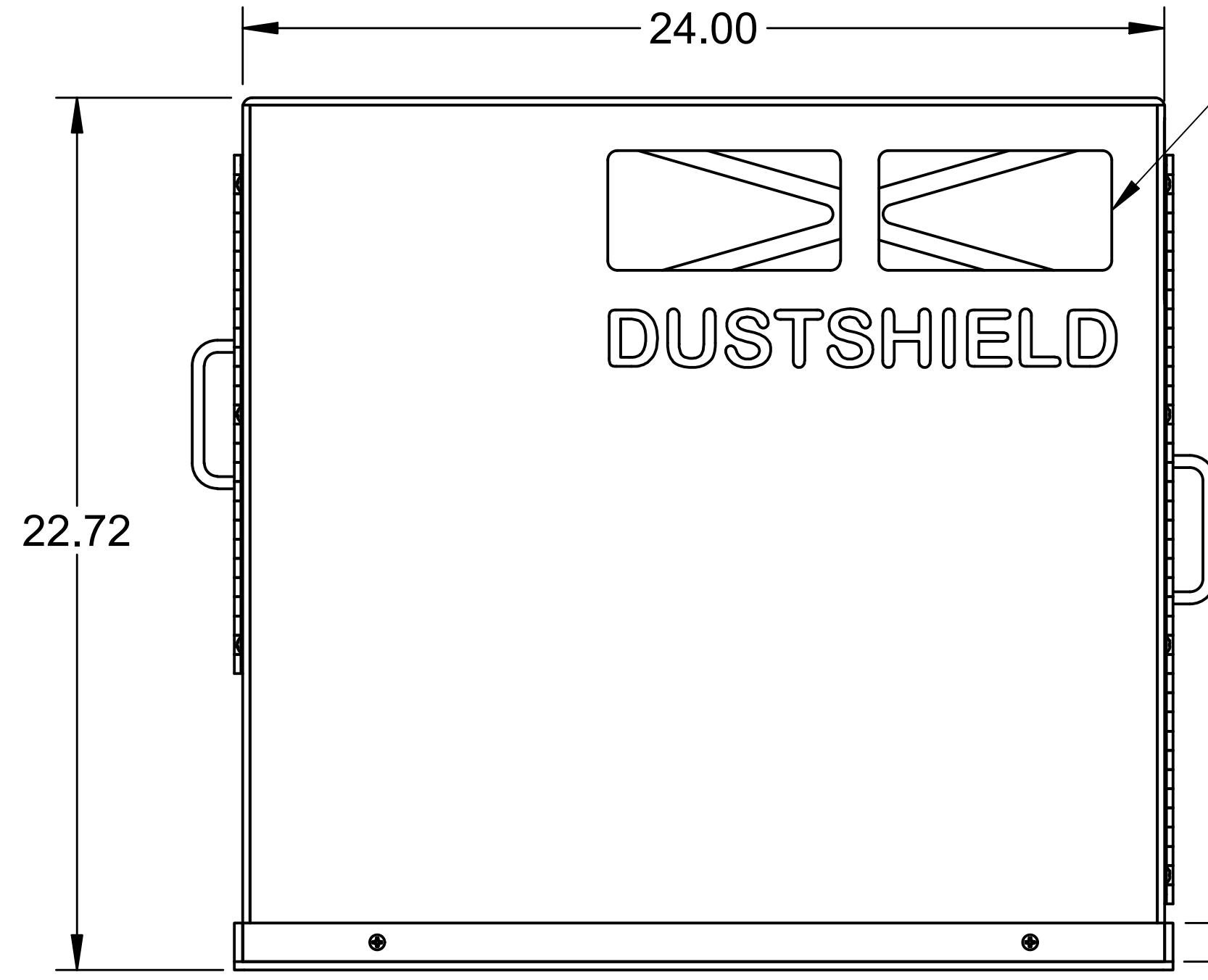
**TOP** (16.94)

ALUMINUM HINGE W/SS HARDWARE



**REAR**

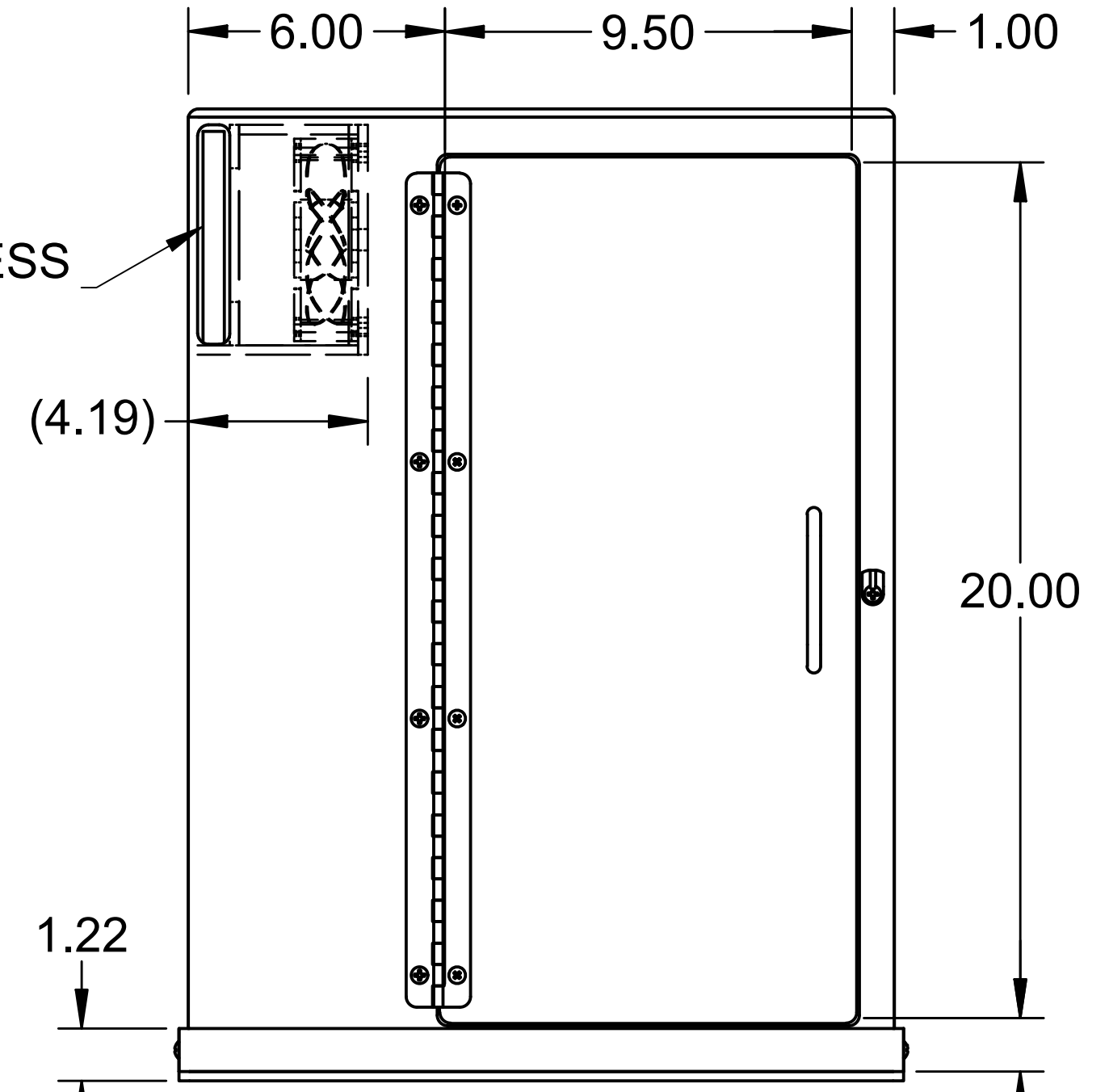
ALUMINUM HINGE W/SS HARDWARE



**LEFT**

SINGLE FILTERED FAN UNIT 95CFM 120V W8' CORD & DS512 FILTER

EASY ACCESS FILTER



**FRONT**

**DS 191:**  
MAX CPU SIZE OF  
8 1/2"W x 19"H x 21"D


**DESIGN APPROVAL**  
BY SIGNING THIS FORM, YOU ARE AUTHORIZING DUSTSHIELD TO PROCEED WITH MANUFACTURING IN ACCORDANCE WITH THE DIMENSIONAL DATA SHOWN

DATE: \_\_\_\_\_

SIGNATURE: \_\_\_\_\_

**NOTES:**

- ENCLOSURE IS CONSTRUCTED OF 3/8" & .22 TEXTURED ABS PLASTIC.
- ENCLOSURE CAN BE REMOVED FROM BASE TO LIFT OFF WITHOUT DISCONNECTING PRINTER CABLES.

REVISION HISTORY				
DCN NO.	REV	DESCRIPTION	DATE	APPROVED
UNLESS OTHERWISE SPECIFIED, ALL DIMENSIONS ARE NOTED IN INCHES. TOLERANCES APPLY TO THE FINISHED PART.				
TOLERANCES		ANGLES	DWN BY: <b>modriquez</b>	
X = ±		± 1°	CHK BY: <b>TD</b>	
.XX = ± .13	HOLES	± .003"	APR BY: <b>TD</b>	
.XXX = ± .06			DATE: <b>4/18/2017</b>	TITLE: <b>DS 191 STANDARD</b>
THESE DRAWINGS ARE THE EXCLUSIVE PROPERTY OF DUST-SHIELD			SCALE: <b>1 SHEET</b>	DRAWING NUMBER: <b>DS 191 STANDARD</b>
ISSUED IN STRICT CONFIDENCE AND SHALL NOT BE REPRODUCED, COPIED OR USED FOR ANY PURPOSE WHATSOEVER, WITHOUT PRIOR WRITTEN PERMISSION			NTS	REV: <b>IR</b>