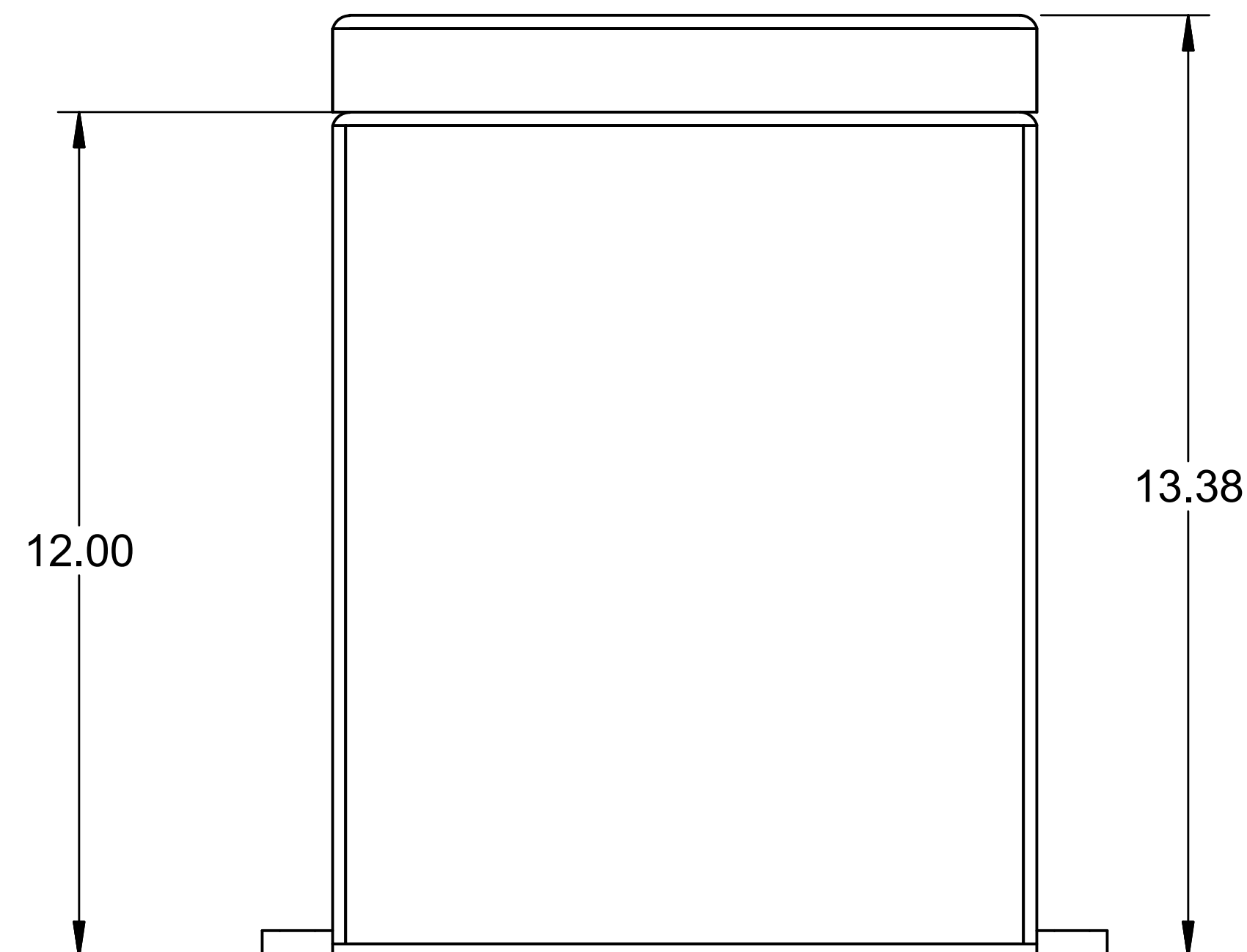
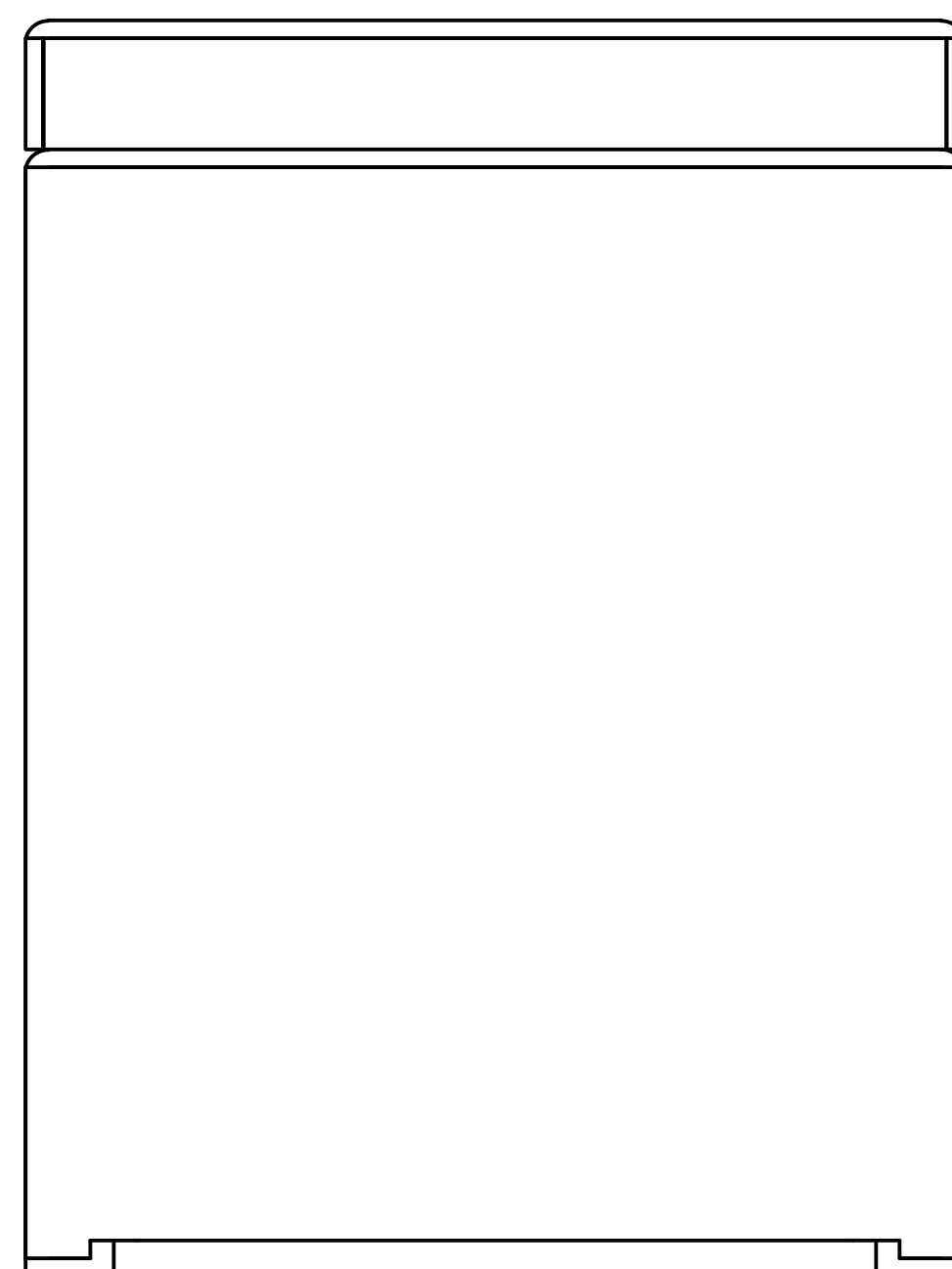
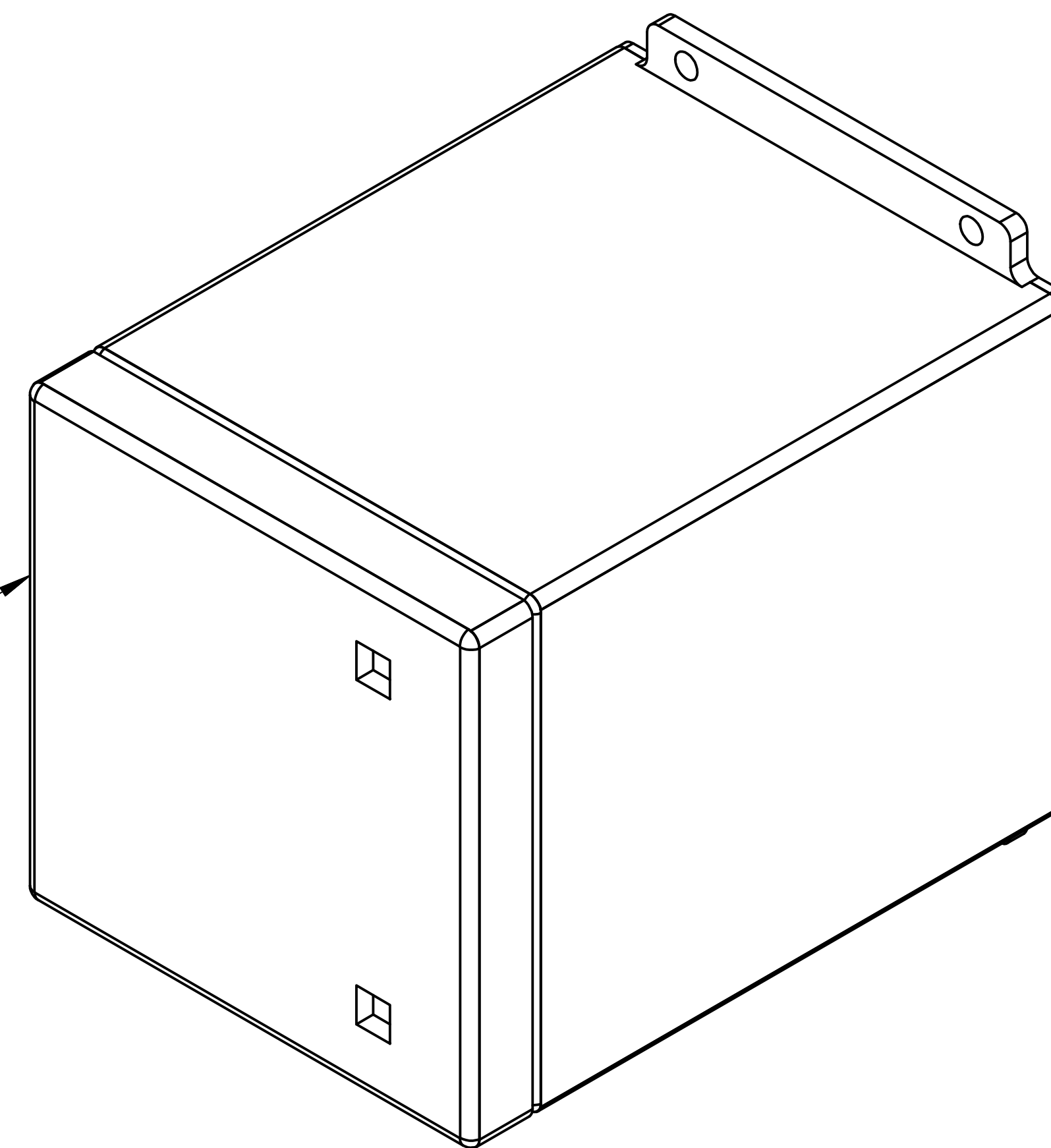


HINGED LOCKABLE
WATERPROOF DOOR



DESIGN APPROVAL
 BY SIGNING THIS FORM, YOU ARE AUTHORIZING INTERACTIVE
 DYNAMICS TO PROCEED WITH MANUFACTURING.
 DATE: _____
 SIGNATURE: _____

| | | | |
|---|---------|---------------------------|---|
| UNLESS OTHERWISE SPECIFIED: ALL DIMENSIONS ARE IN INCHES. ALL TOLERANCES APPLY TO THE FINISHED PART, EXCLUDING PAINT | | MATERIAL: ABS 3/8" | |
| TOLERANCES | ANGLES | DWN BY: DM | |
| X = ± | ± 1° | CHK BY: | |
| .XX = ± .03 | HOLES | APR BY: | TITLE: HD UTILITY WASHDOWN ENCLOSURE |
| .XXX = ± .015 | ± .003" | DATE: 12/15/2015 | DRAWING NUMBER: DS-101012B |
| THESE DRAWINGS ARE THE EXCLUSIVE PROPERTY OF DUST-SHIELD ISSUED IN STRICT CONFIDENCE AND SHALL NOT BE REPRODUCED, COPIED OR USED FOR ANY PURPOSE WHATSOEVER, WITHOUT PRIOR WRITTEN PERMISSION | | SCALE: NTS | SHEET 1 OF 1 |
| | | | REV: IR |