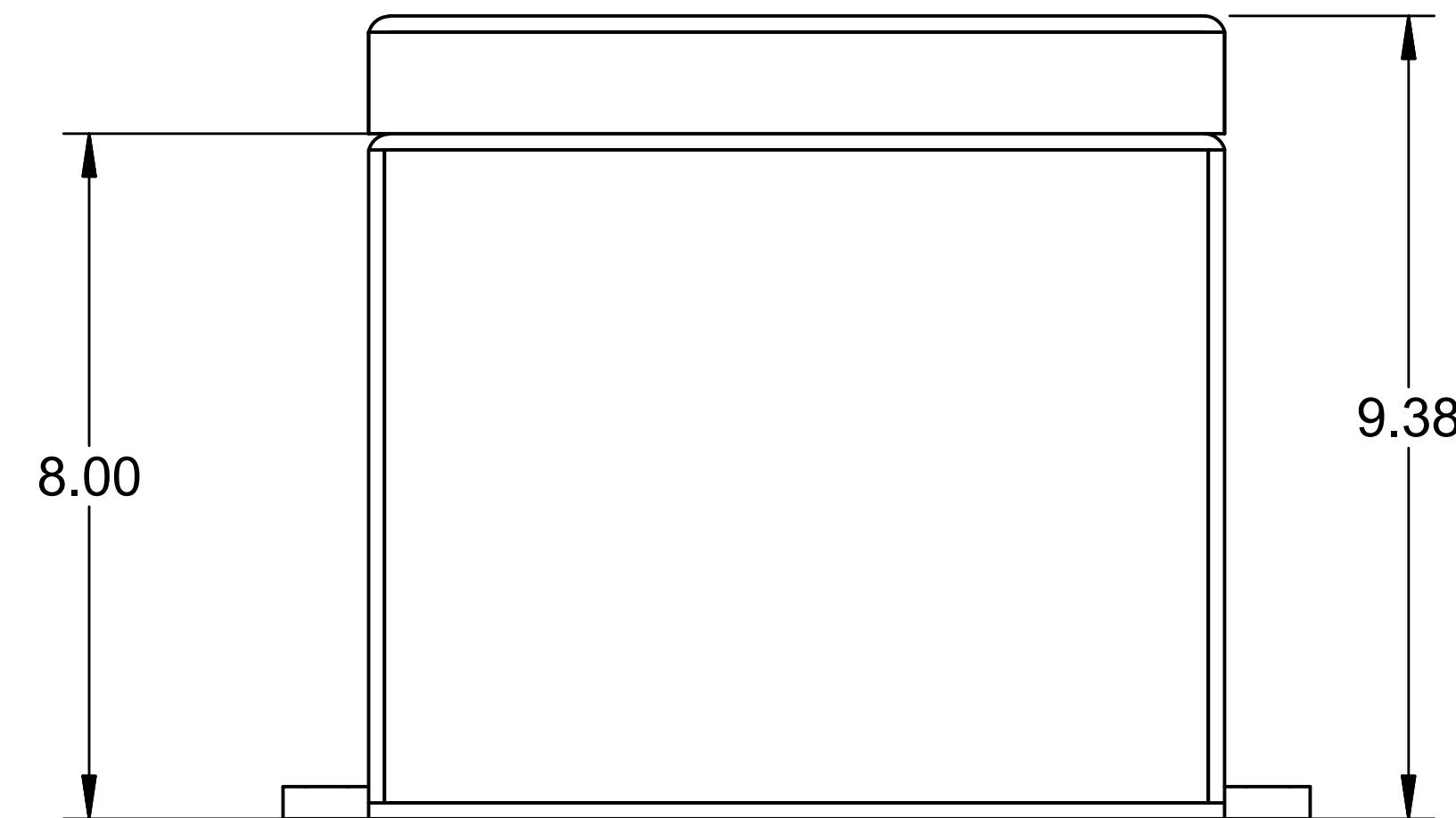
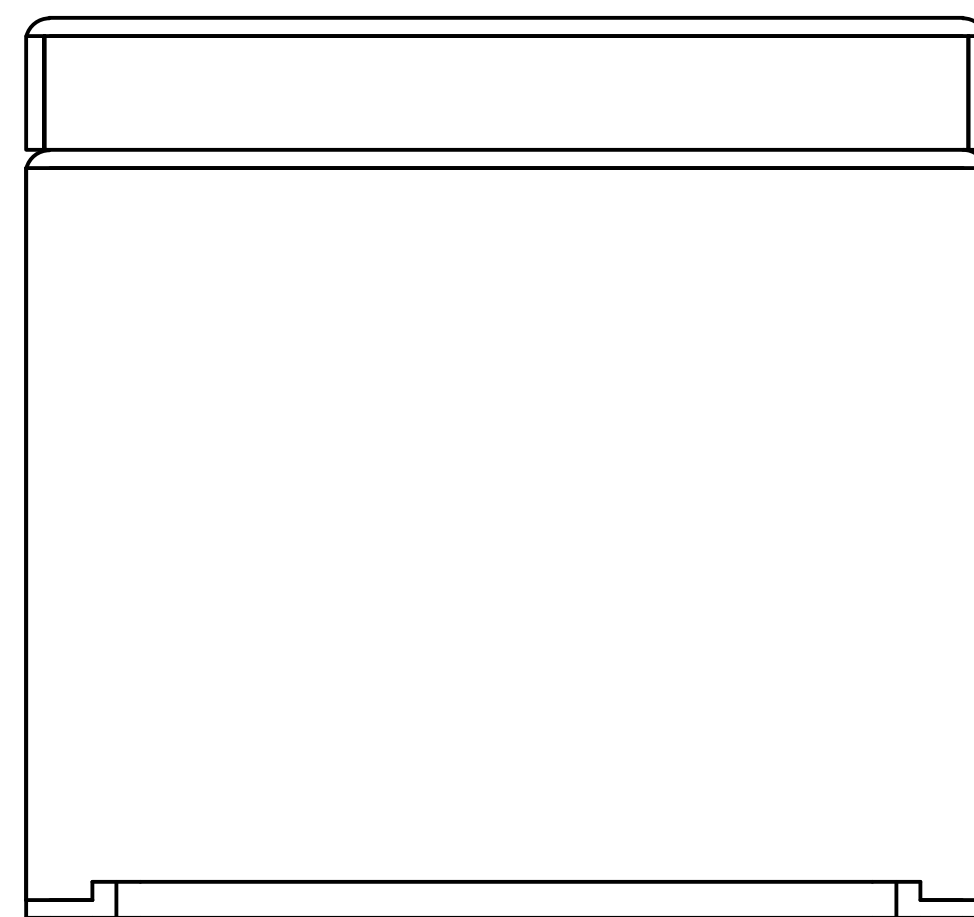
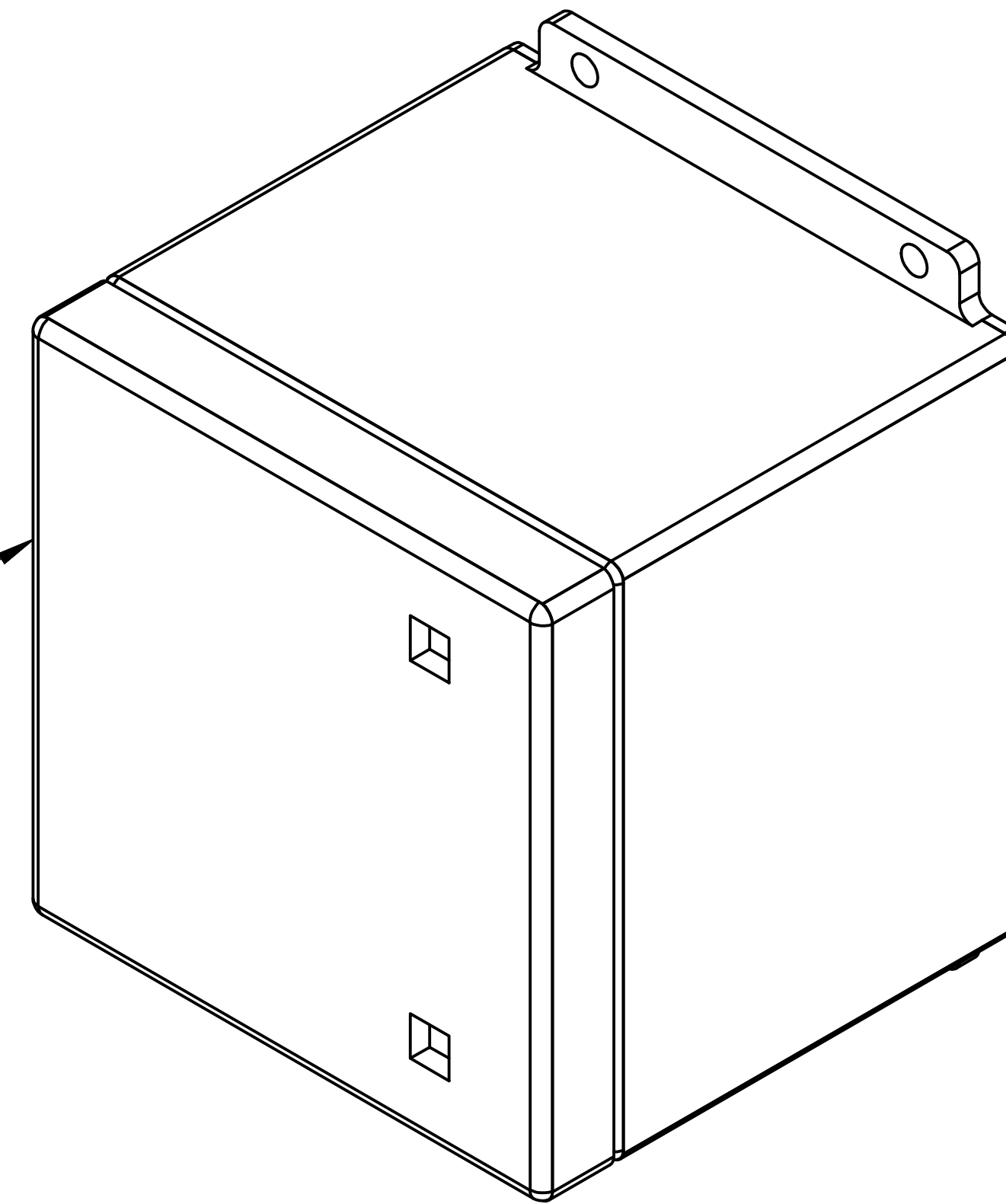


HINGED LOCKABLE
WATERPROOF DOOR



DESIGN APPROVAL
 BY SIGNING THIS FORM, YOU ARE AUTHORIZING INTERACTIVE
 DYNAMICS TO PROCEED WITH MANUFACTURING.
 DATE: _____
 SIGNATURE: _____

UNLESS OTHERWISE SPECIFIED: ALL DIMENSIONS ARE IN INCHES. ALL TOLERANCES APPLY TO THE FINISHED PART, EXCLUDING PAINT		MATERIAL: ABS 3/8"	
TOLERANCES	ANGLES	DWN BY: DM	
X = ±	± 1°	CHK BY:	
.XX = ± .03	HOLES	APR BY:	TITLE:
.XXX = ± .015	± .003"	DATE: 12/15/2015	HD UTILITY WASHDOWN ENCLOSURE
THESE DRAWINGS ARE THE EXCLUSIVE PROPERTY OF DUST SHIELD ISSUED IN STRICT CONFIDENCE AND SHALL NOT BE REPRODUCED, COPIED OR USED FOR ANY PURPOSE WHATSOEVER, WITHOUT PRIOR WRITTEN PERMISSION		SCALE: NTS	SHEET 1 OF 1
		DRAWING NUMBER: DS-10108B	REV: IR