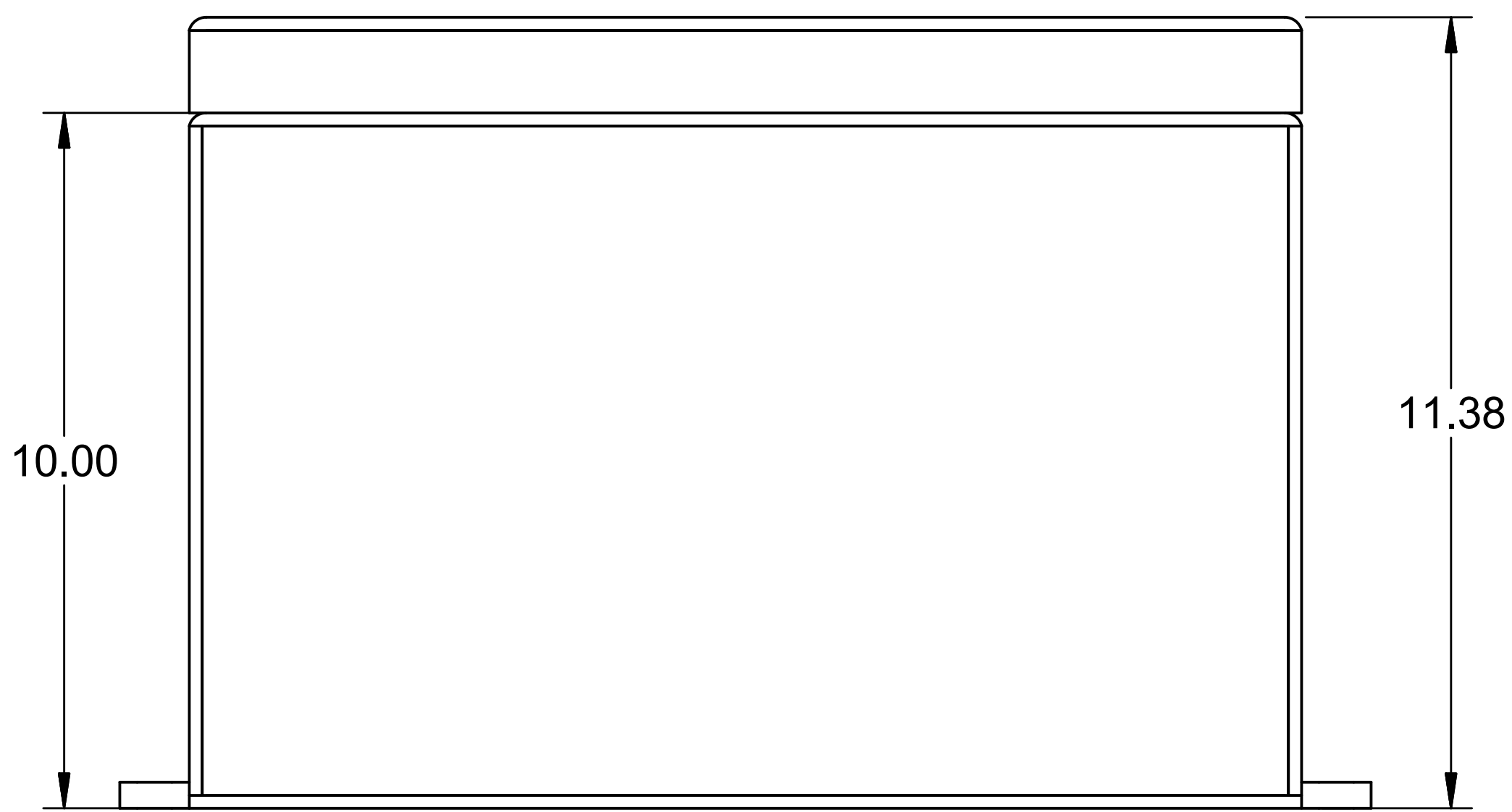
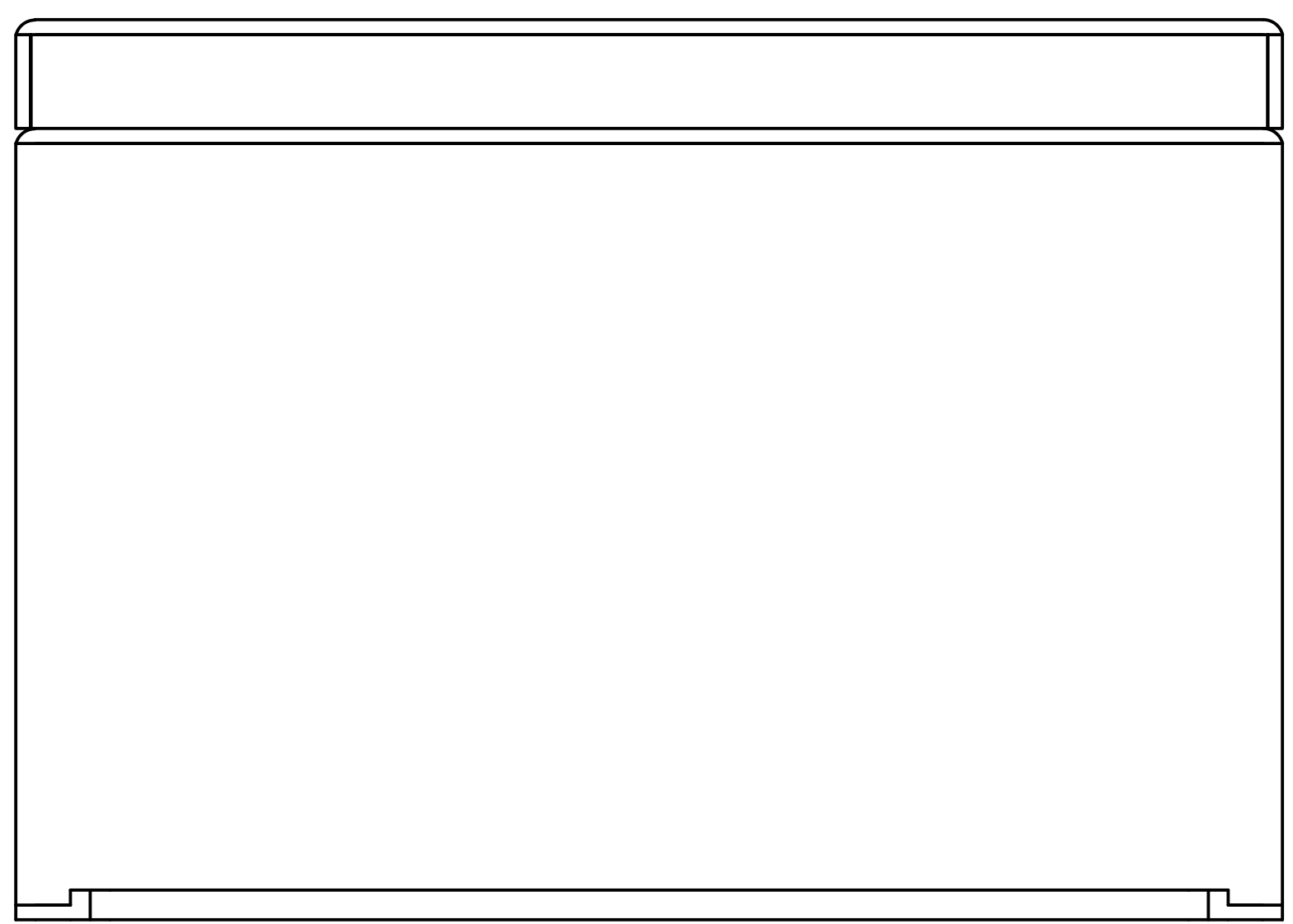
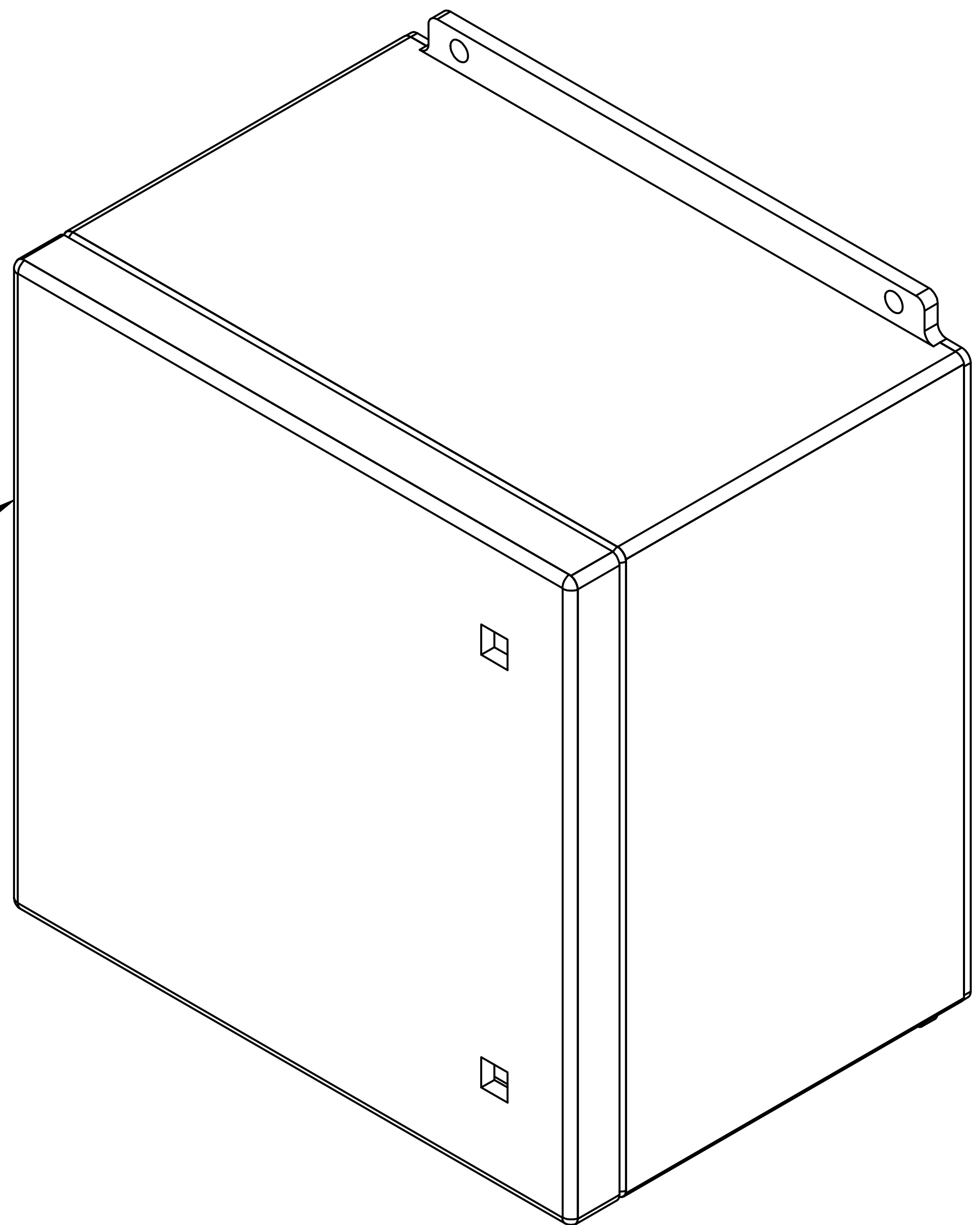


HINGED LOCKABLE  
WATERPROOF DOOR



**DESIGN APPROVAL**  
 BY SIGNING THIS FORM, YOU ARE AUTHORIZING INTERACTIVE DYNAMICS TO PROCEED WITH MANUFACTURING.  
 DATE: \_\_\_\_\_  
 SIGNATURE: \_\_\_\_\_

UNLESS OTHERWISE SPECIFIED: ALL DIMENSIONS ARE IN INCHES. ALL TOLERANCES APPLY TO THE FINISHED PART, EXCLUDING PAINT.		MATERIAL: <b>ABS 3/8"</b>		
TOLERANCES	ANGLES	DWN BY: DM		
X = ±	± 1°	CHK BY:		
.XX = ± .03	HOLES ± .003"	APR BY:	TITLE: HD UTILITY WASHDOWN ENCLOSURE	
.XXX = ± .015		DATE: 12/15/2015	DRAWING NUMBER: DS-161610B	
THESE DRAWINGS ARE THE EXCLUSIVE PROPERTY OF DUST SHIELD. ISSUED IN STRICT CONFIDENCE AND SHALL NOT BE REPRODUCED, COPIED, OR USED FOR ANY PURPOSE WHATSOEVER, WITHOUT PRIOR WRITTEN PERMISSION.		SCALE: NTS	SHEET 1 OF 1	REV: IR