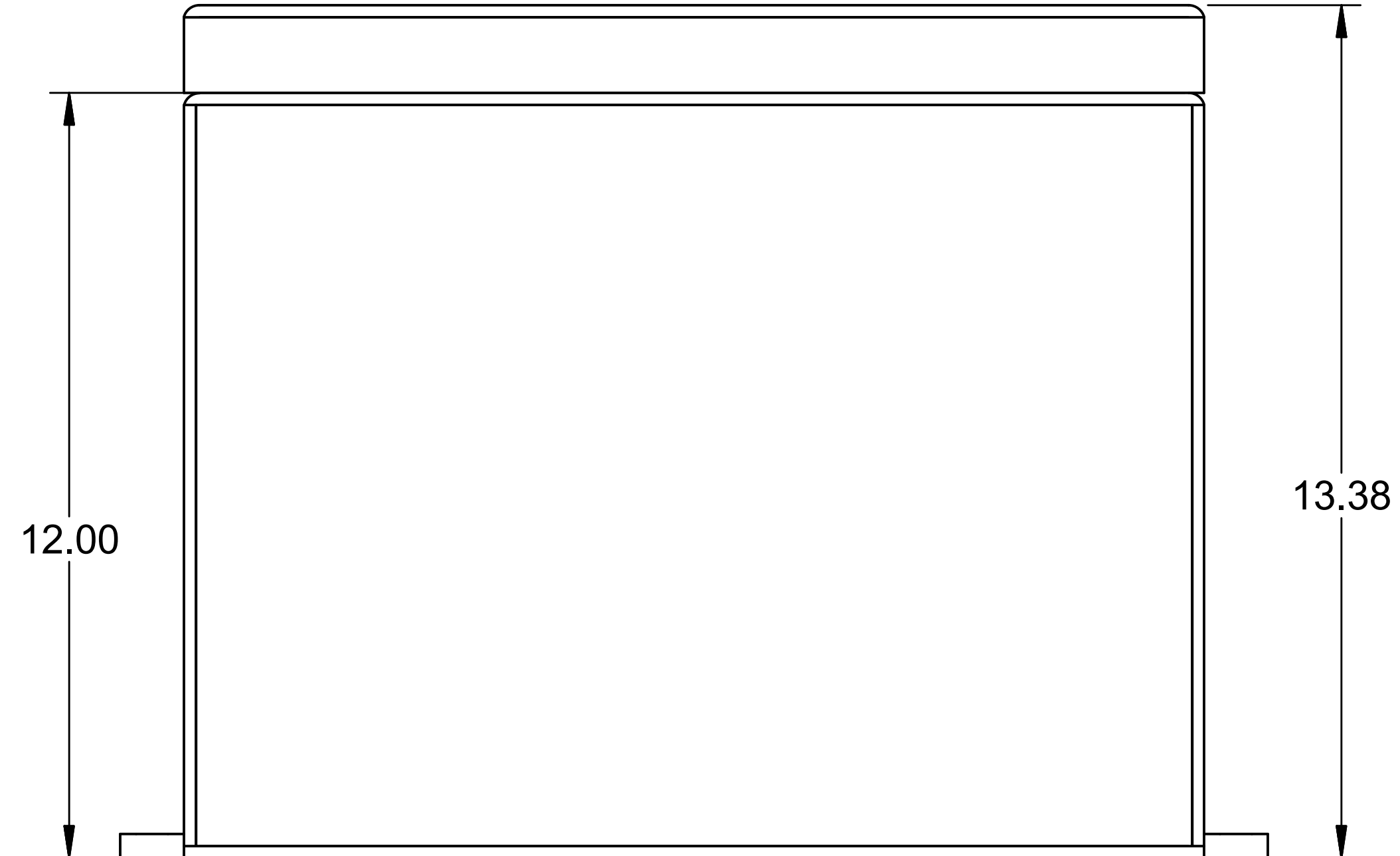
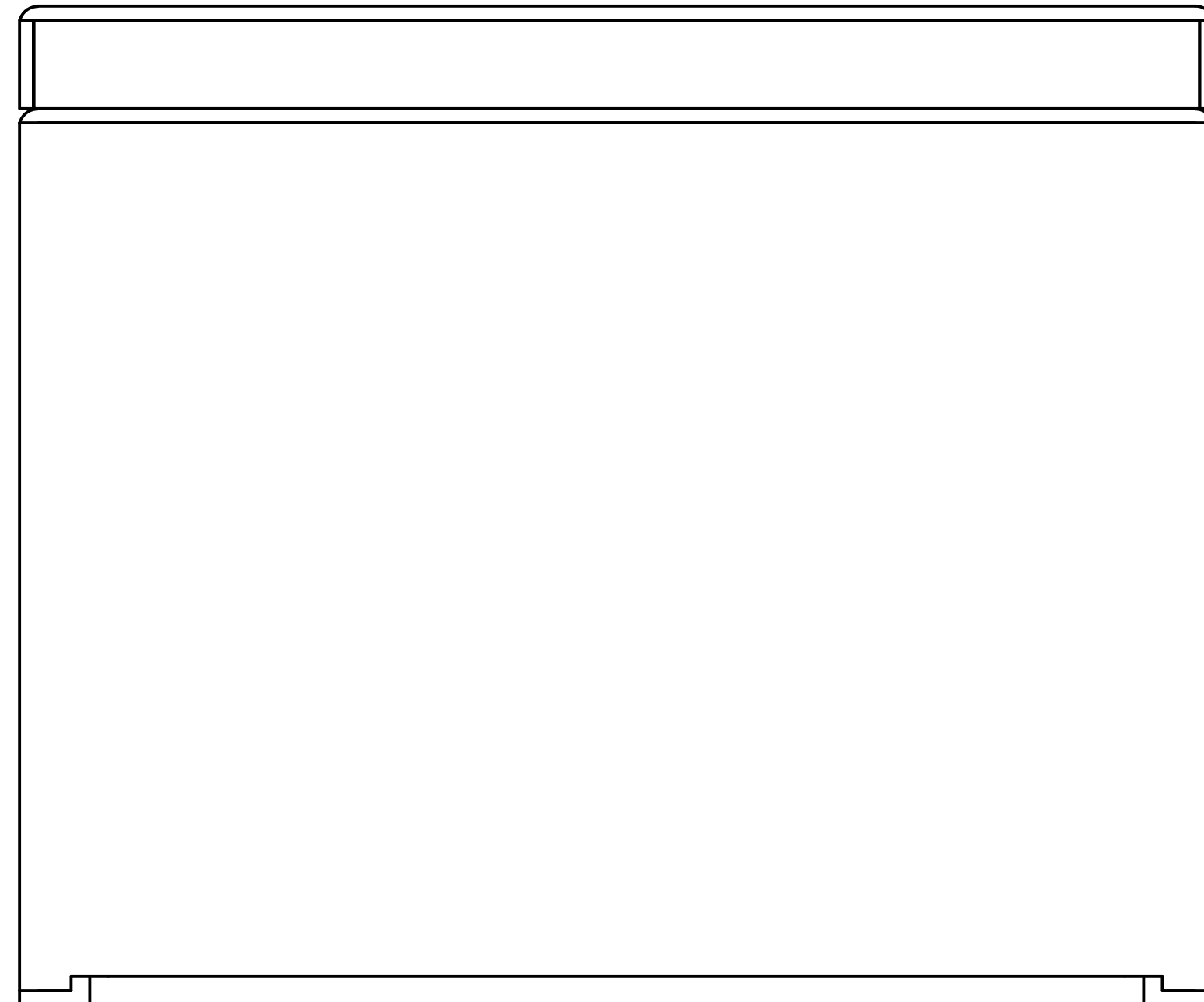
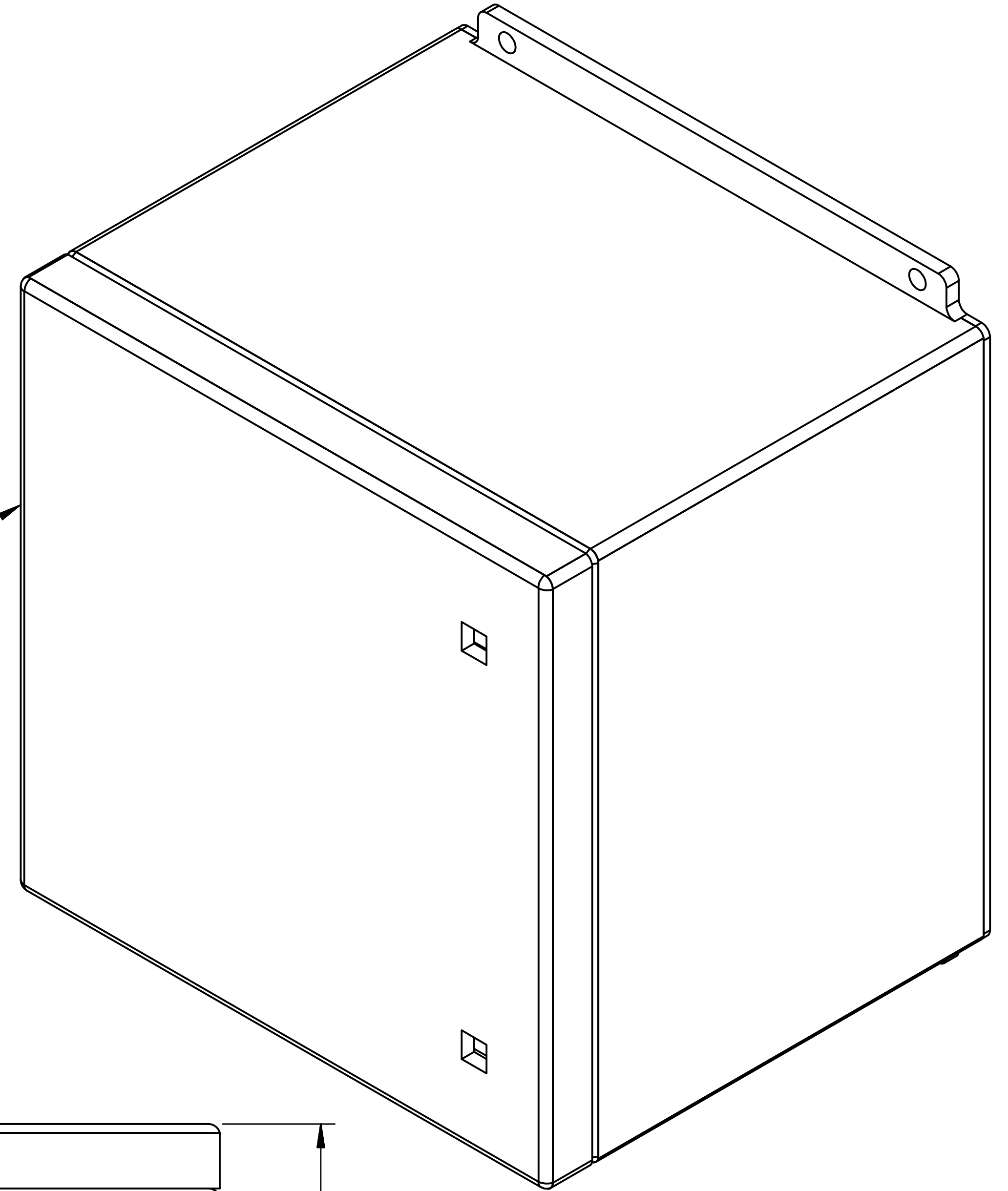


HINGED LOCKABLE  
WATERPROOF DOOR



**DESIGN APPROVAL**  
 BY SIGNING THIS FORM, YOU ARE AUTHORIZING INTERACTIVE  
 DYNAMICS TO PROCEED WITH MANUFACTURING.  
 DATE: \_\_\_\_\_  
 SIGNATURE: \_\_\_\_\_

UNLESS OTHERWISE SPECIFIED: ALL DIMENSIONS ARE IN INCHES. ALL TOLERANCES APPLY TO THE FINISHED PART, EXCLUDING PAINT		MATERIAL: <b>ABS 3/8"</b>		
TOLERANCES	ANGLES	DWN BY: DM		
X = ±	± 1°	CHK BY:		
.XX = ± .03	HOLES	APR BY:	TITLE: HD UTILITY WASHDOWN ENCLOSURE	
.XXX = ± .015	± .003"	DATE: 12/15/2015	DRAWING NUMBER: DS-161612B	
THESE DRAWINGS ARE THE EXCLUSIVE PROPERTY OF DUST-SHIELD ISSUED IN STRICT CONFIDENCE AND SHALL NOT BE REPRODUCED, COPIED, OR USED FOR ANY PURPOSE WHATSOEVER, WITHOUT PRIOR WRITTEN PERMISSION		SCALE: NTS	SHEET 1 OF 1	REV: IR