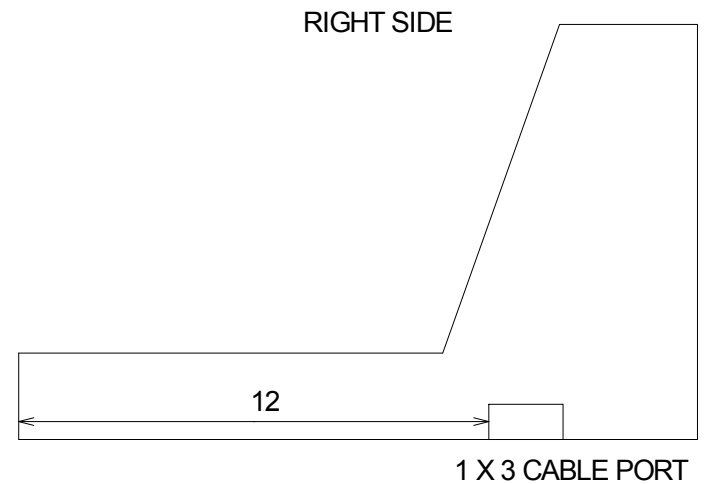
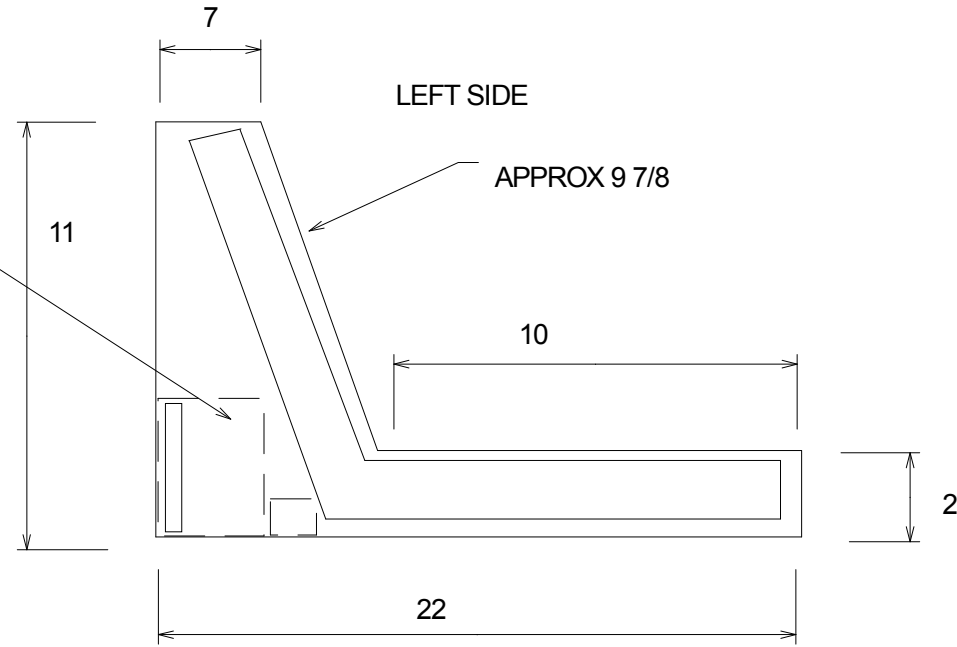
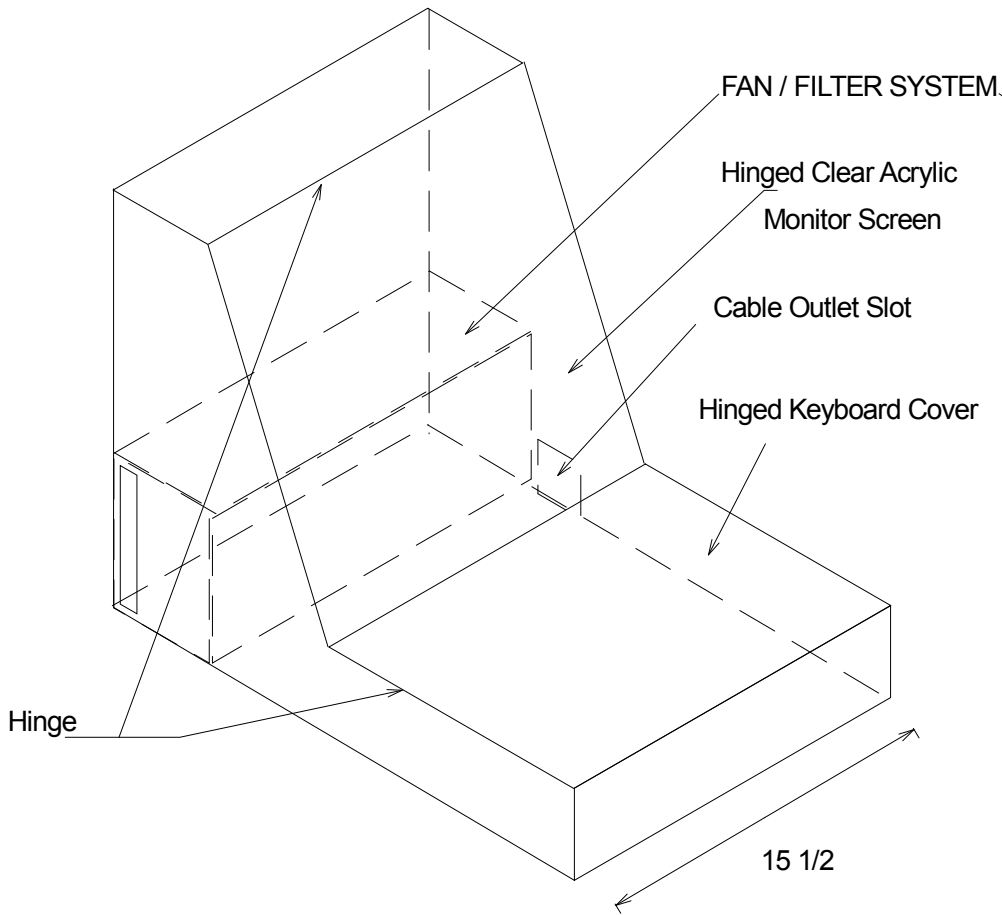


# DS 170 - Laptop Dustshield With Fan / Filter System



**PLEASE APPROVE AND FAX BACK TO 417-736-9873**  
 COMPANY NAME \_\_\_\_\_  
 APPROVED BY AS DRAWN \_\_\_\_\_  
 APPROVED BY WITH CHANGES \_\_\_\_\_  
 DATE \_\_\_\_\_

**DUSTSHIELD, LLC**  
 800-587-9557  
 417-736-9873 fax